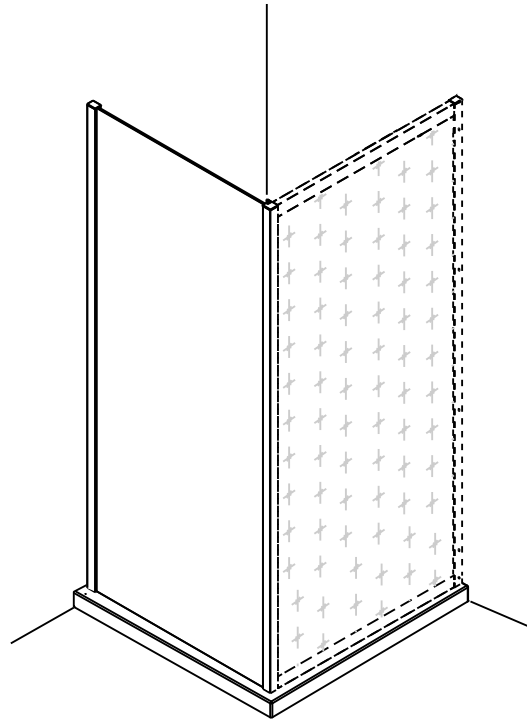


PREMIER 8 SIDE PANEL



***Please read these instructions carefully and keep for future reference.
Incorrect fitting will invalidate the guarantee.***

⚠ SAFETY

- Handle glass with great care. Although the glass is very tough, sharp impacts can damage both the glass and metal frame.
- Make sure there are no hidden pipes or cables hidden in the wall where you intend to drill.
- Wear safety goggles, shoes and appropriate clothing.

⚠ BEFORE INSTALLATION

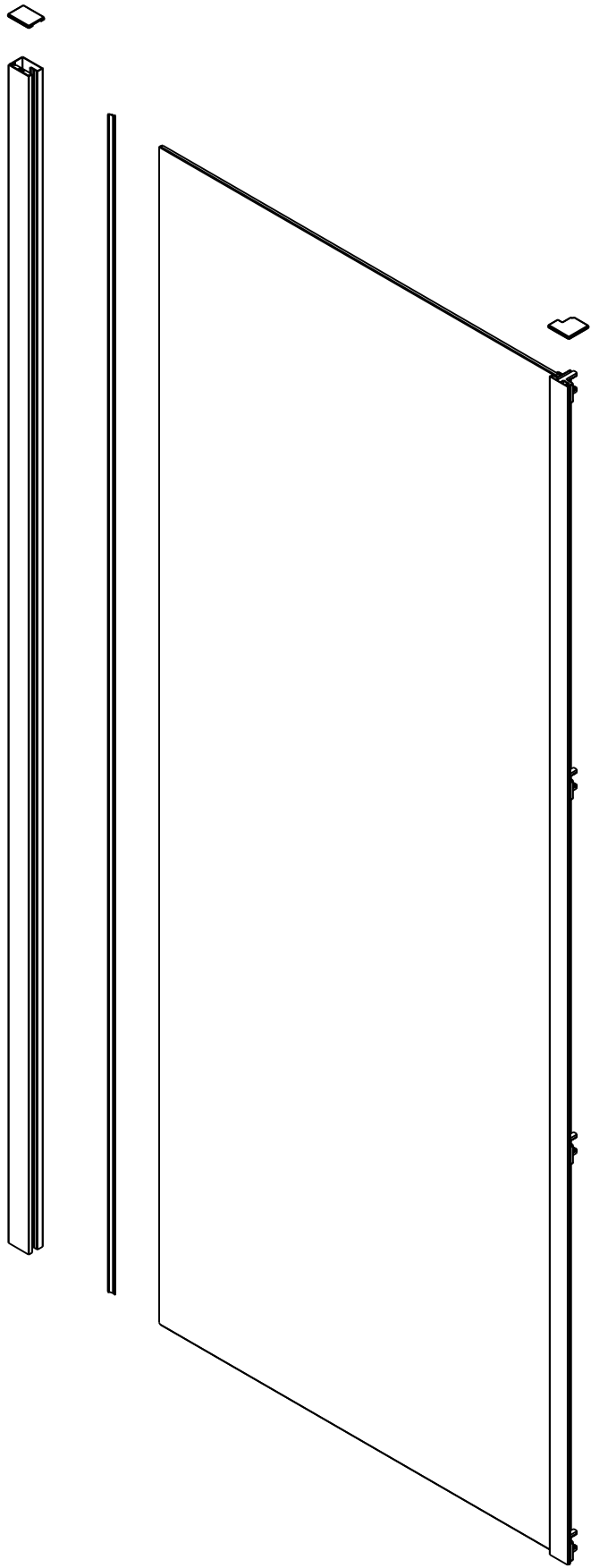
- Check that the shower tray is level in all directions. The enclosure will not sit correctly on an uneven surface. If uneven, the wall channels may not fit and the doors may not shut correctly.
- The enclosure should be fitted on tiled walls which are sealed with waterproof grout.
- There must be a good silicone seal between the rim of the shower tray and the wall.
- The shower tray and the enclosure must match in size. Attempting to fit the incorrect size of enclosure to the shower tray will result in water leaks.
- Always check very carefully that components are vertical.
- To avoid damage, use the opened out packaging to build the enclosure on.

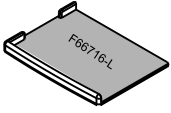
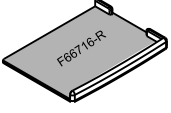



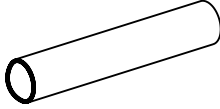
Equipment needed:

Drill, 6.5mm Masonry Bit, 4.5mm & 3mm Metal Bits (general), Crosshead Screwdriver, Spirit Level, Pencil, Tape Measure, Masking Tape, Silicone Sealant.

Note: The screws and wall plugs supplied are for masonry walls. For lightweight walls i.e. stud partition, plasterboard etc, use the correct type of fixings.

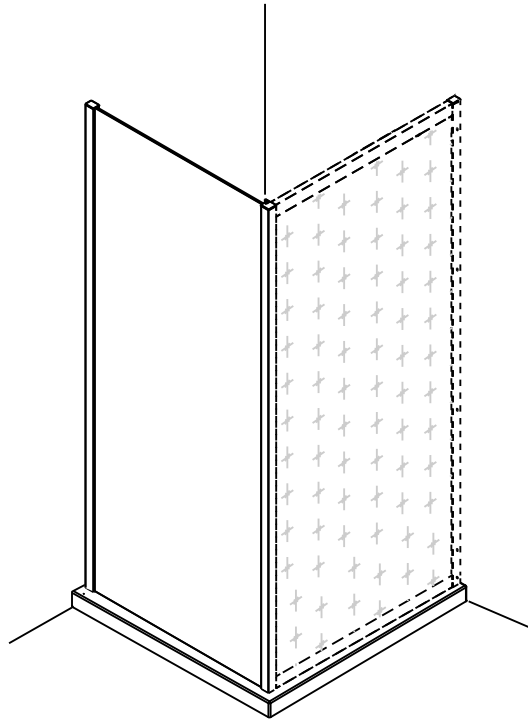
CUSTOMER CARELINE 01460 256080



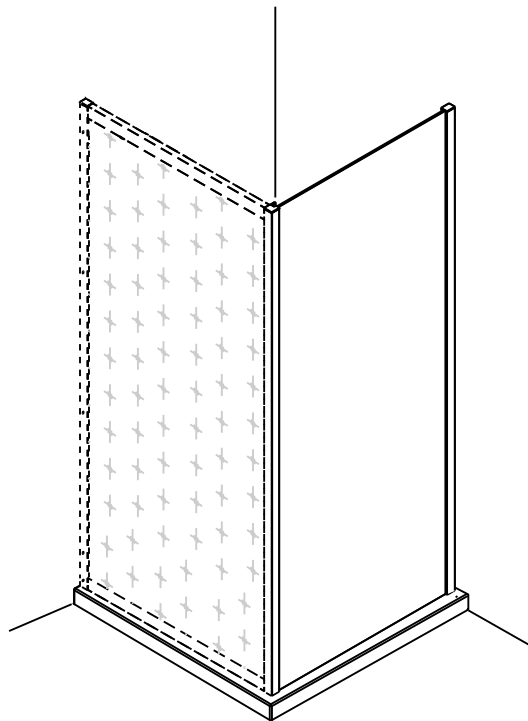
5057300 	1	5057400 	1	4038100 	1
5057900 	1	5058000 	1		
6063900 			2		

SIDE PANEL CODE	DOOR SIZE IN MM	OVERALL DIMENSIONS IN MM
P8SP70CUC	700	675-695
P8SP76CUC	760	735-755
P8SP80CUC	800	775-795
P8SP90CUC	900	875-895
P8SP10CUC	1000	975-995
P8SP12CUC	1200	1175-1195

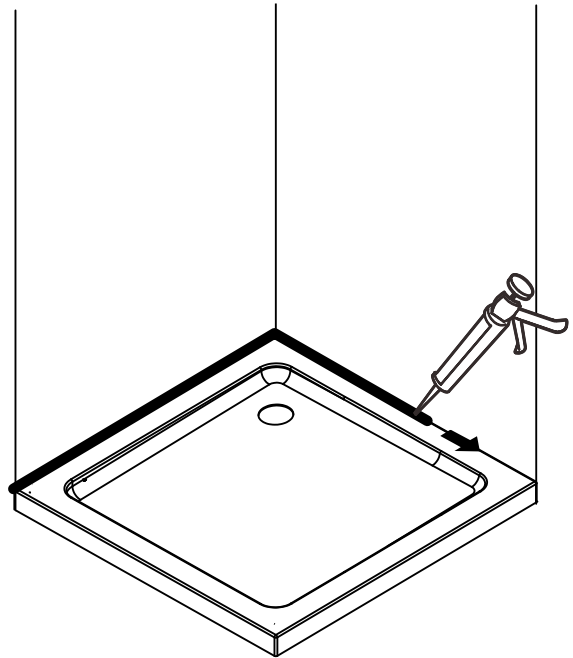
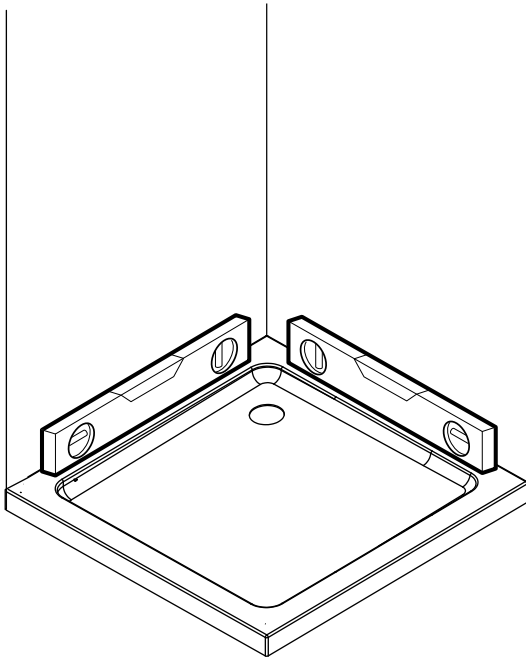
SPARES	DESCRIPTION	PRODUCTS & QTY IN PACKS	
ENSK0019	Side Panel Screwpack Kit	6064400	4
		6063900	2
ENSK0020	Wall Profile Caps Kit	5057300	1
		5057400	1
ENSK0021	Corner Profile Cover Cap Kit	5057900	1
		5058000	1
ENSK7030	PREMIER8 Side Panel E-Seal Kit	4038100	1

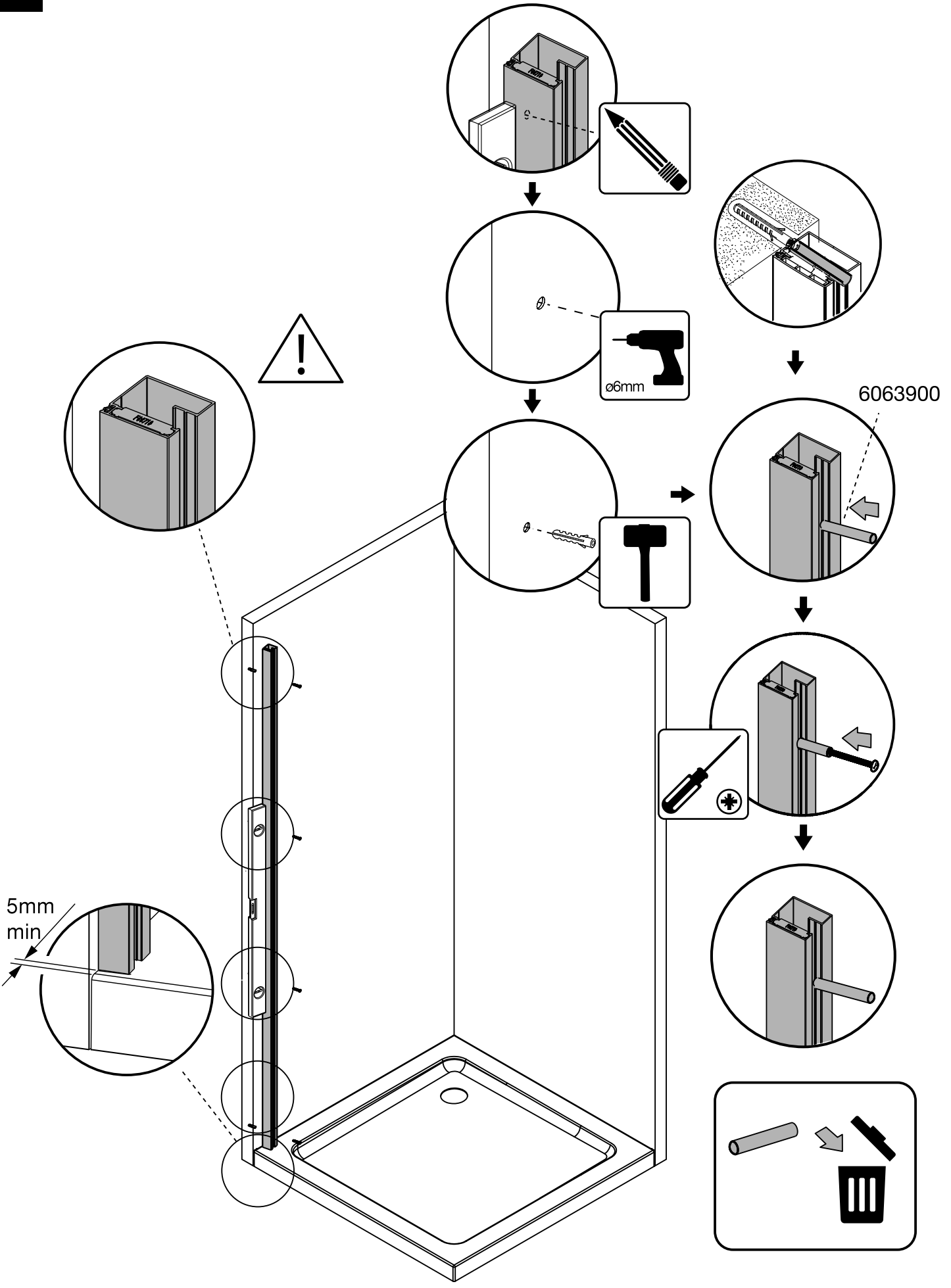


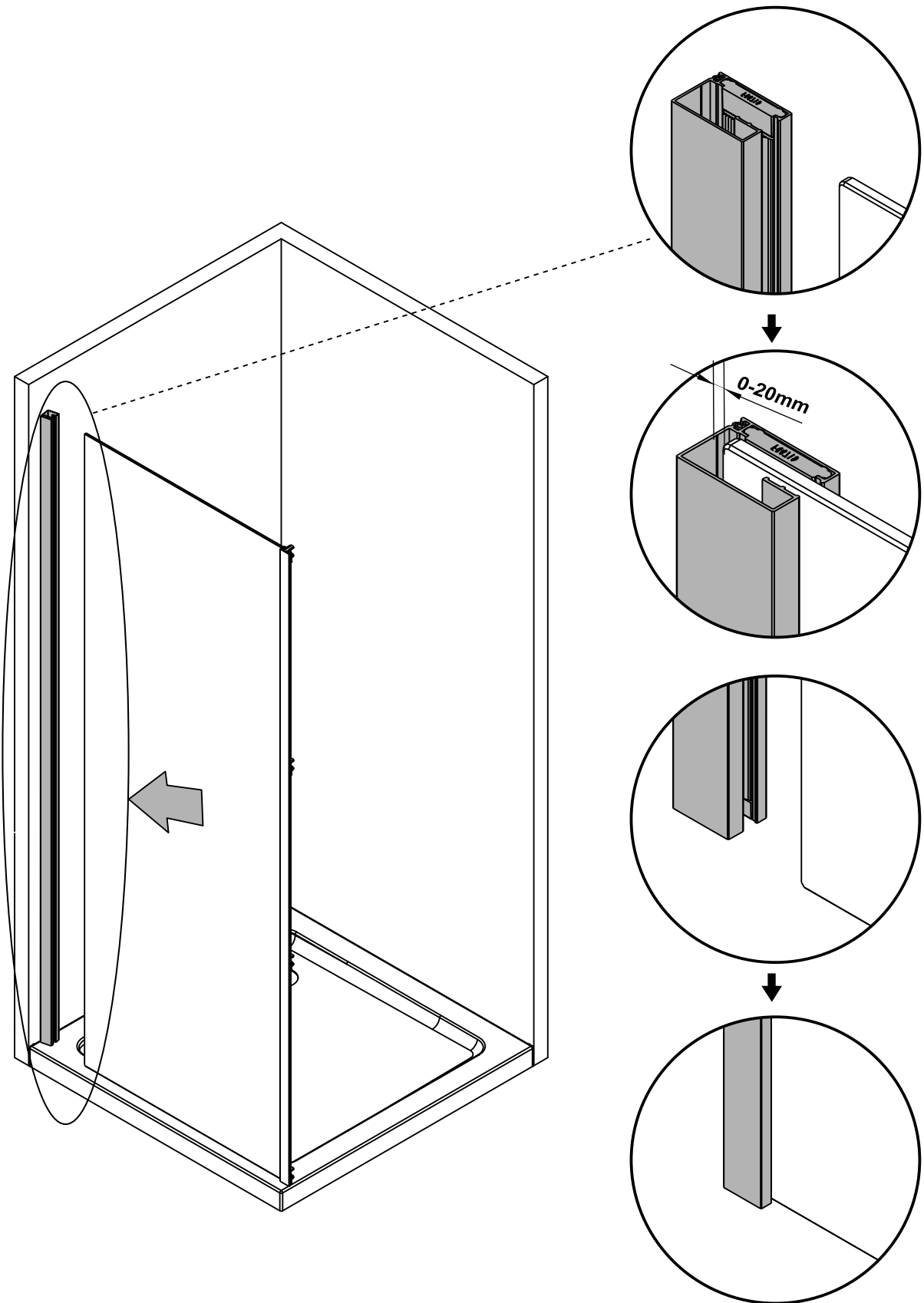
1 → **6**

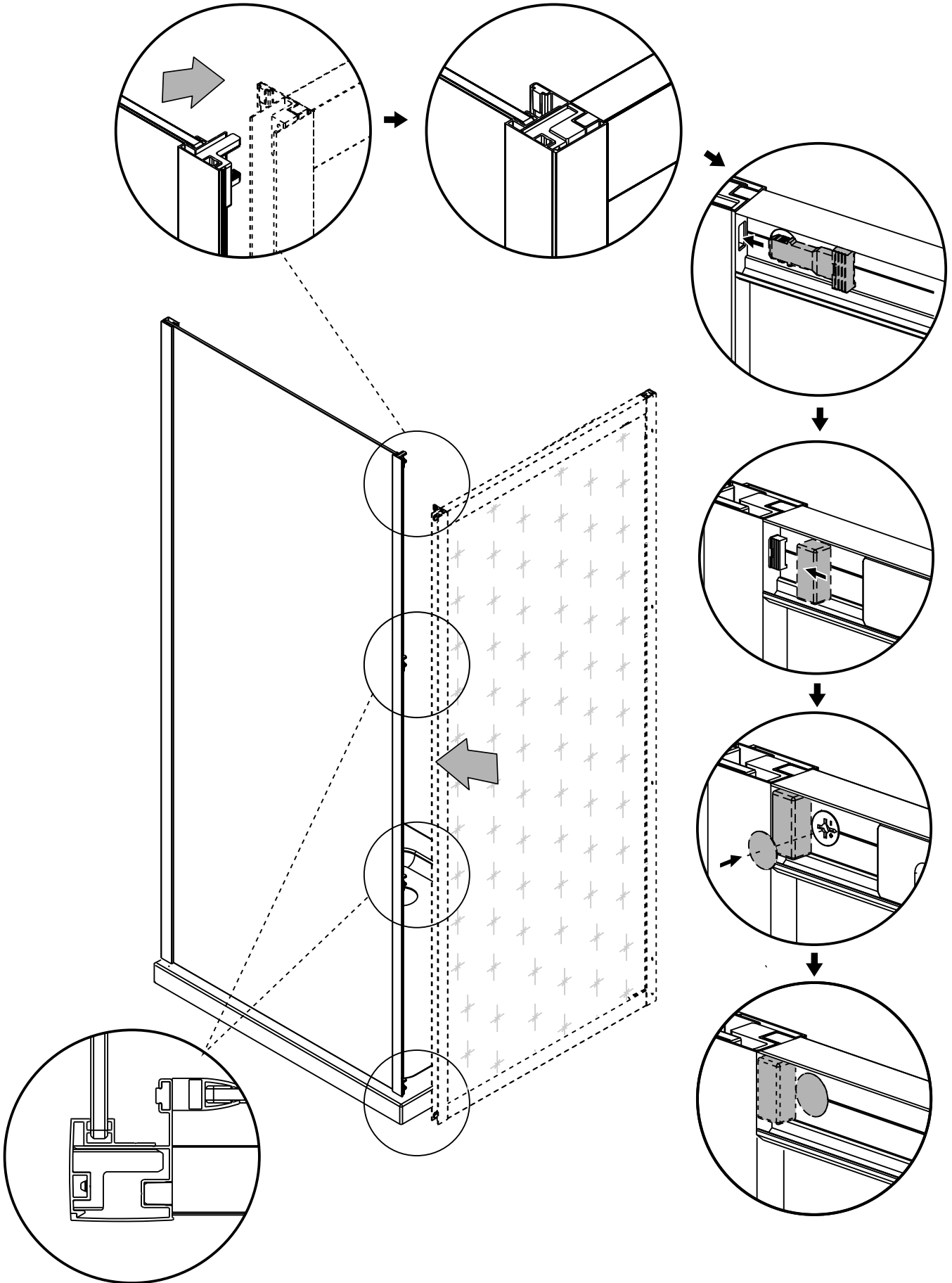


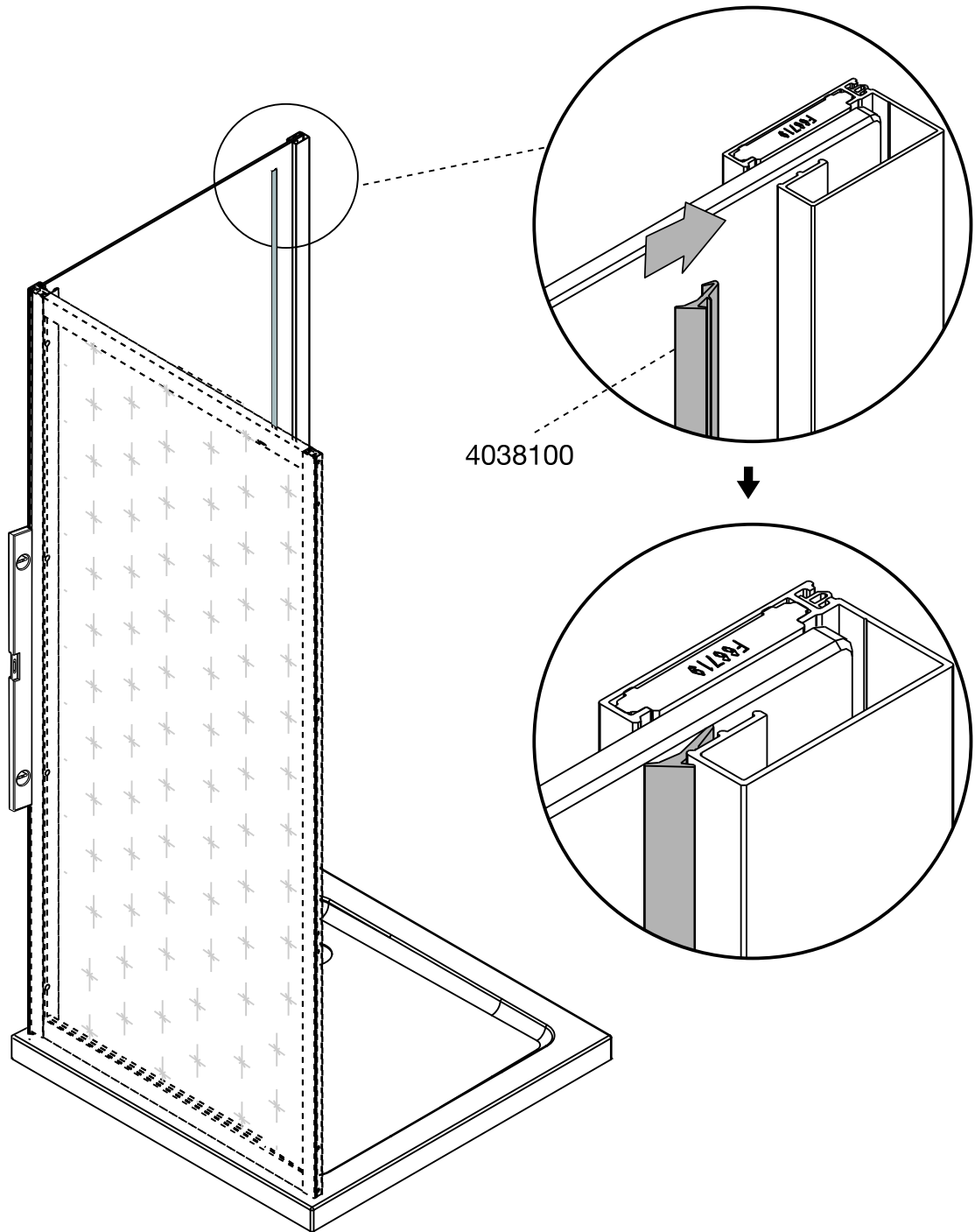
7 → **13**



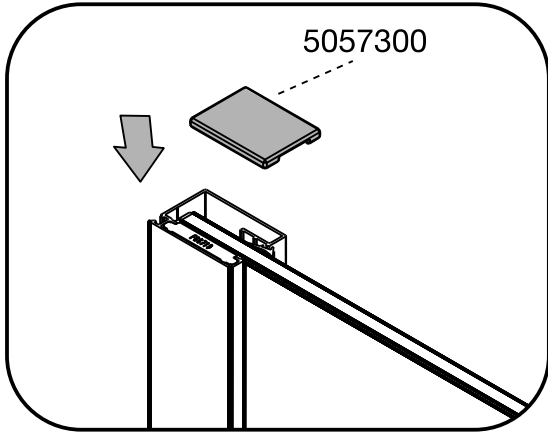
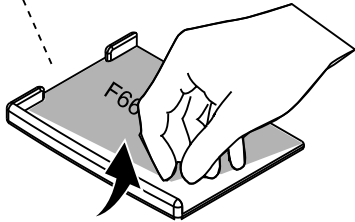




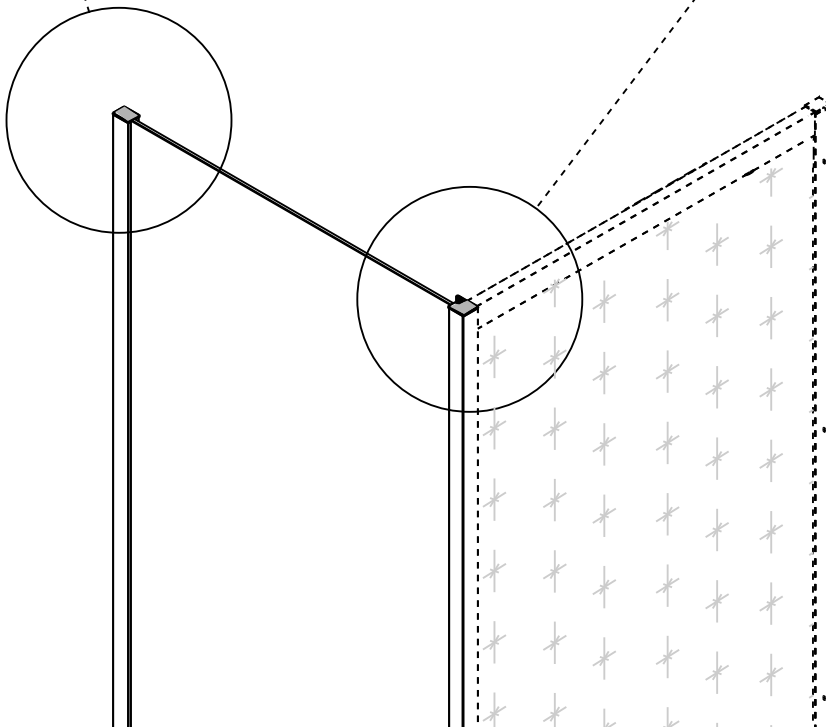
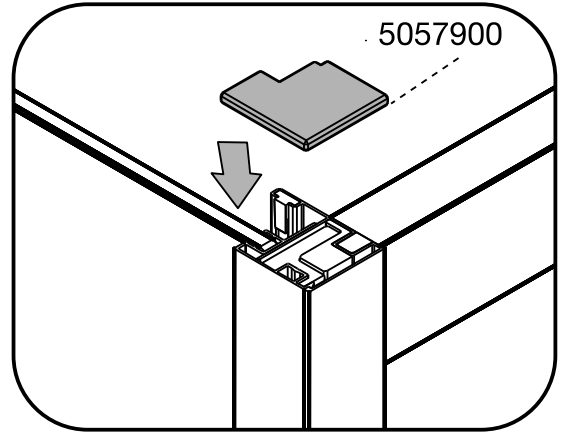
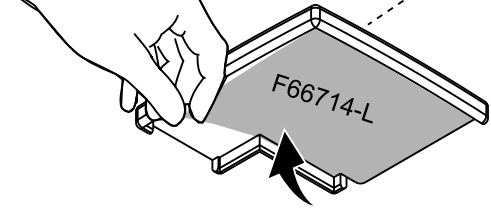


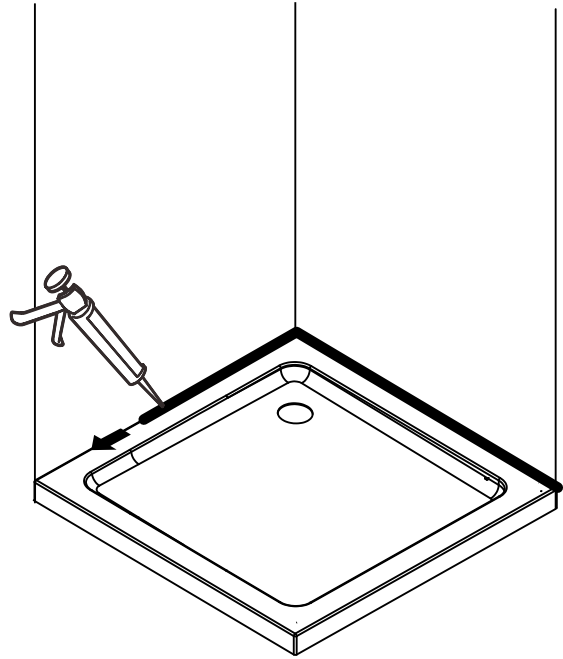
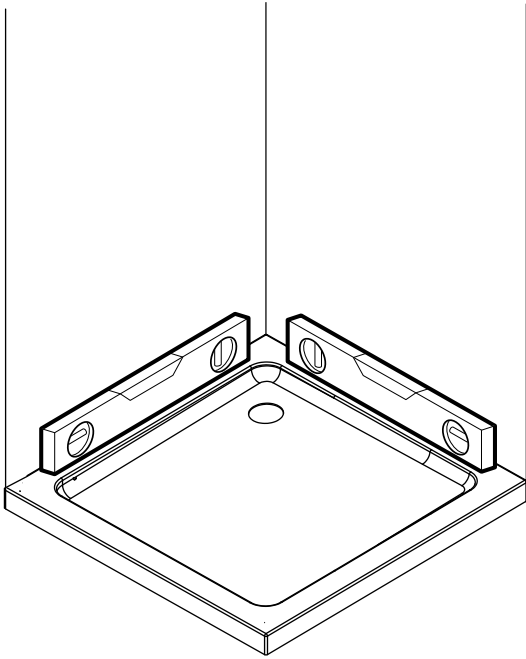


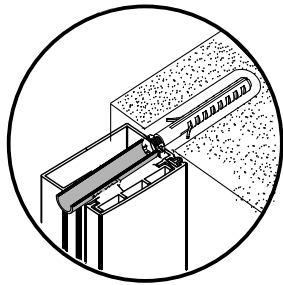
5057300



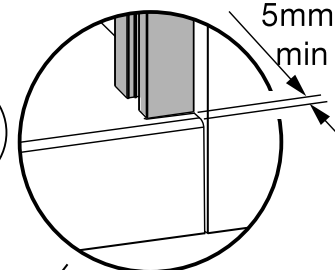
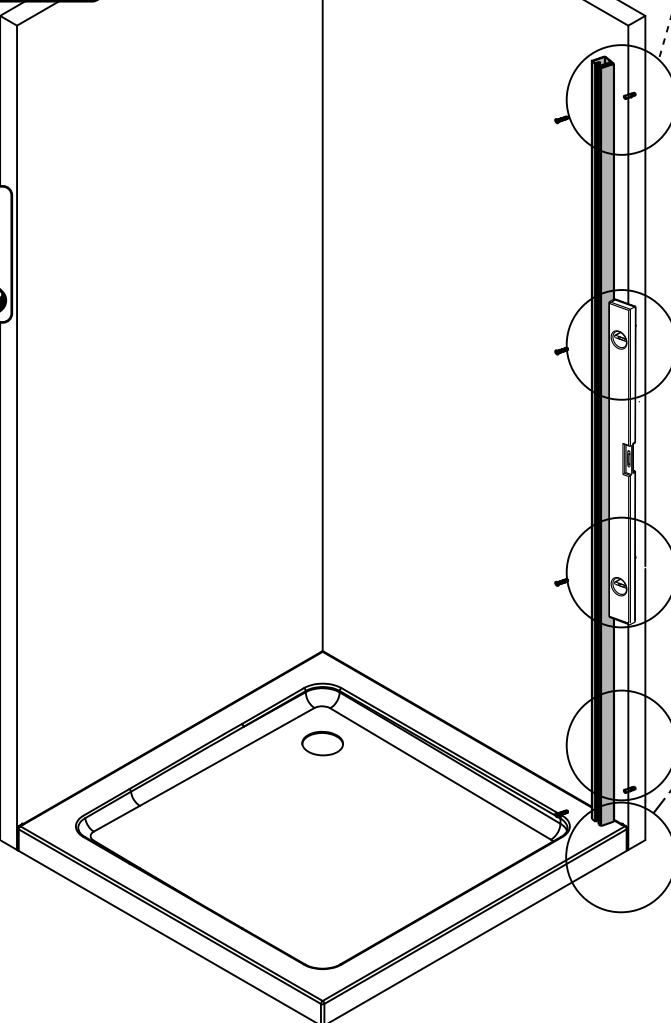
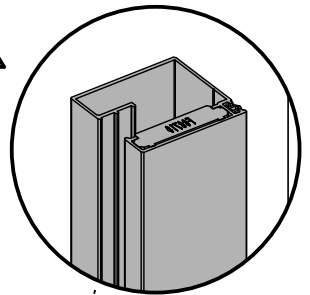
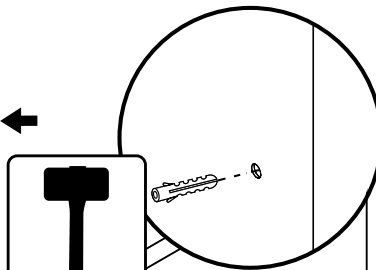
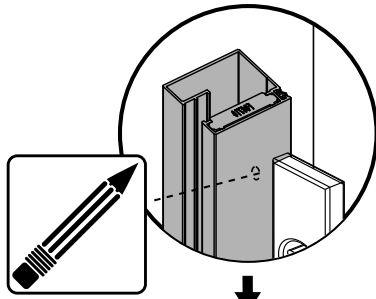
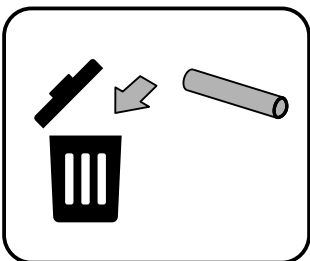
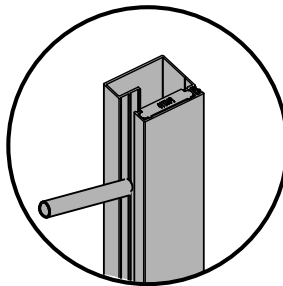
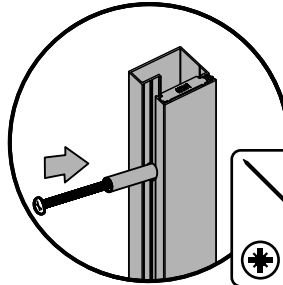
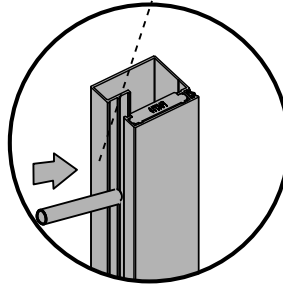
5057900



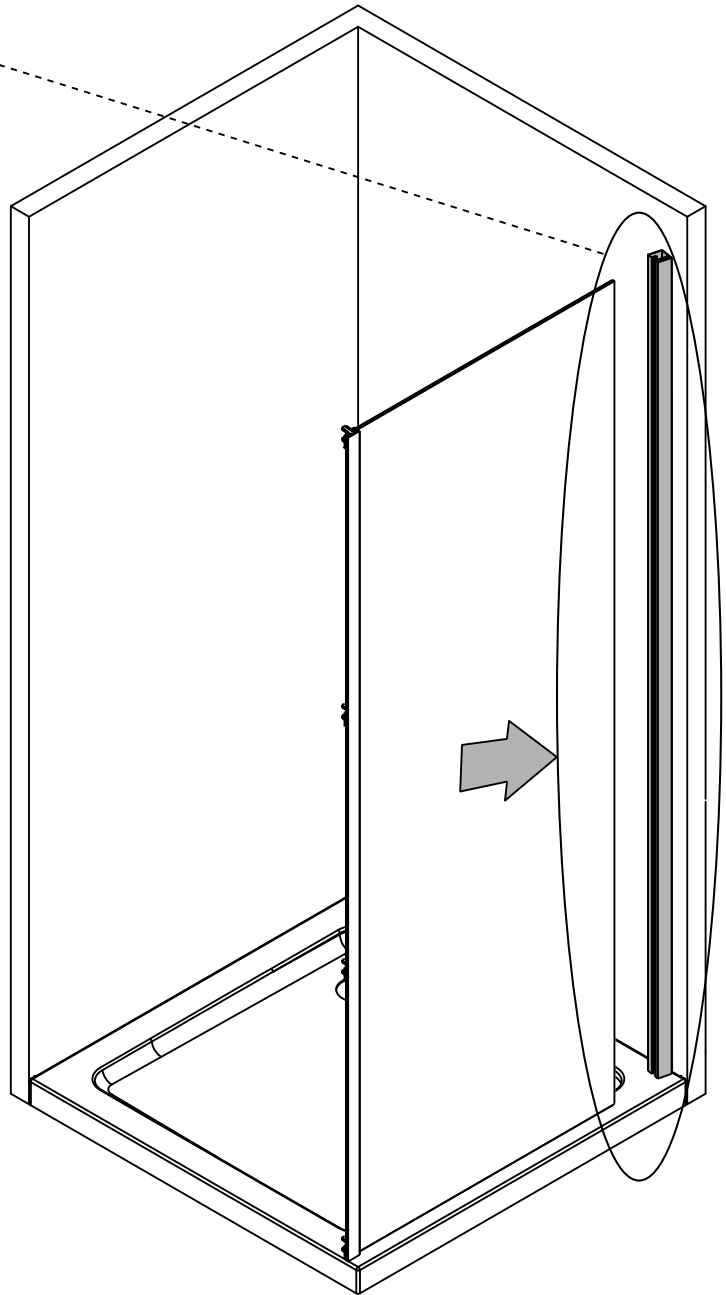
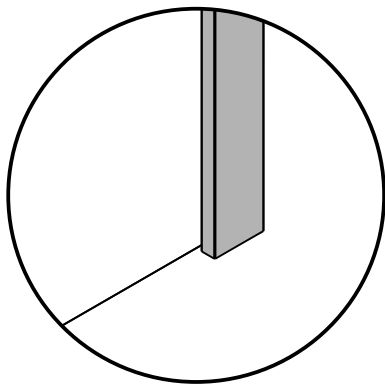
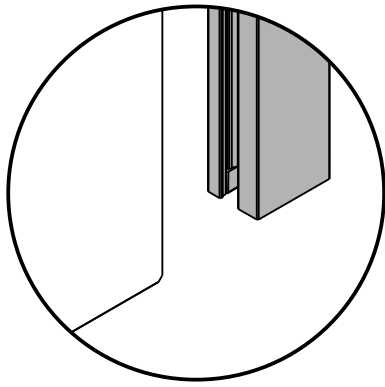
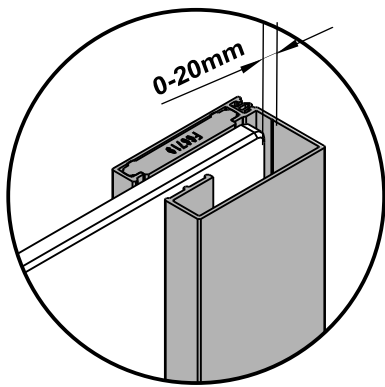
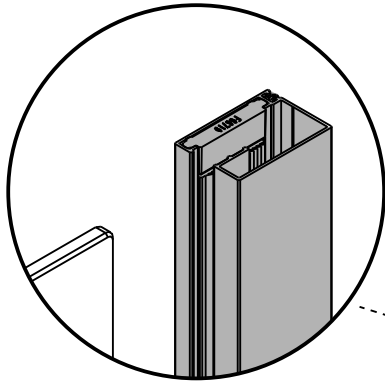


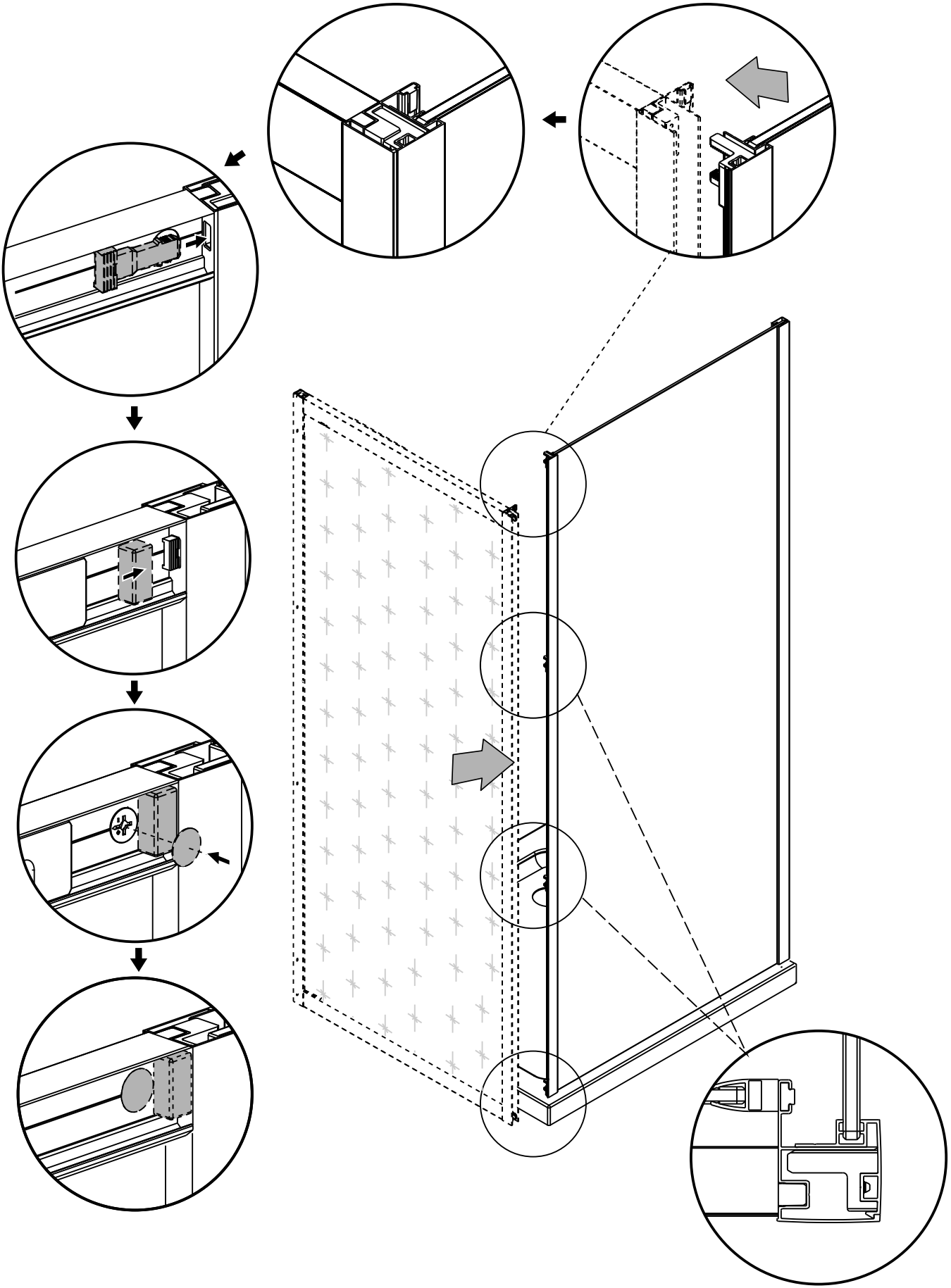


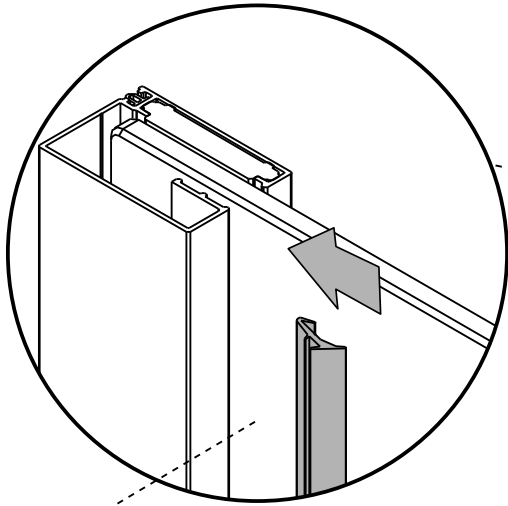
6063900



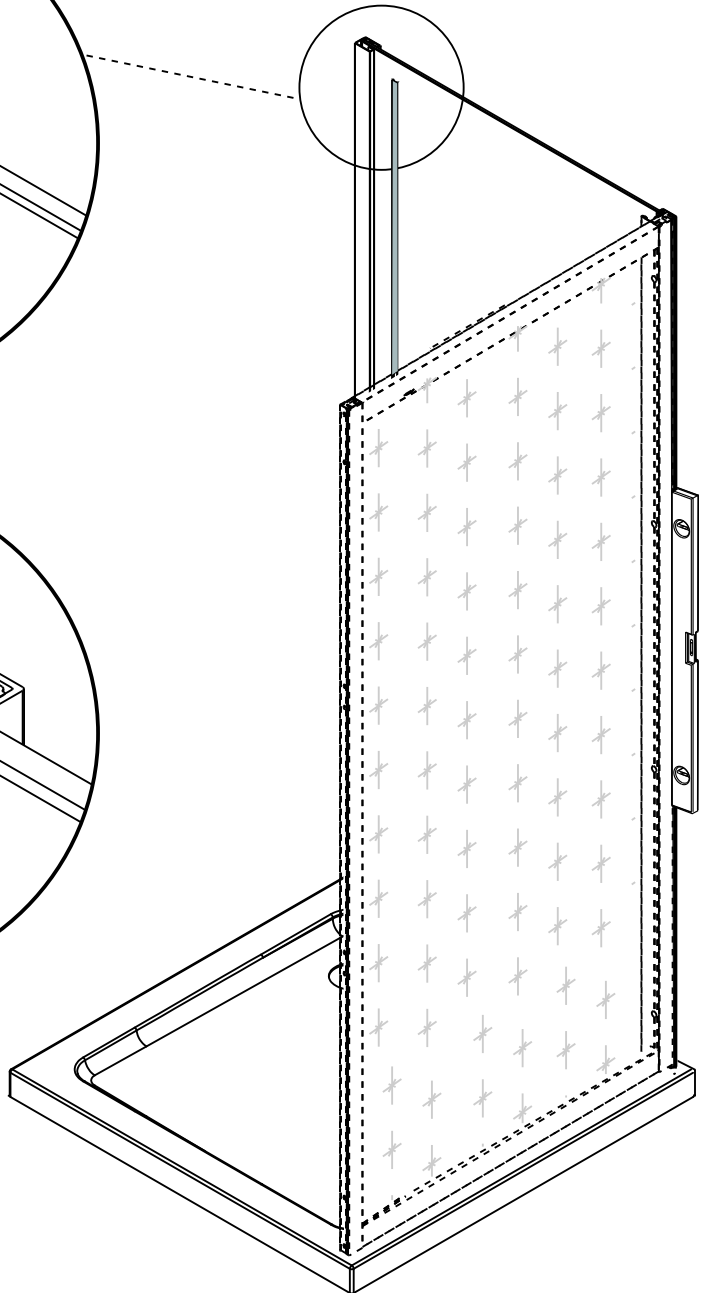
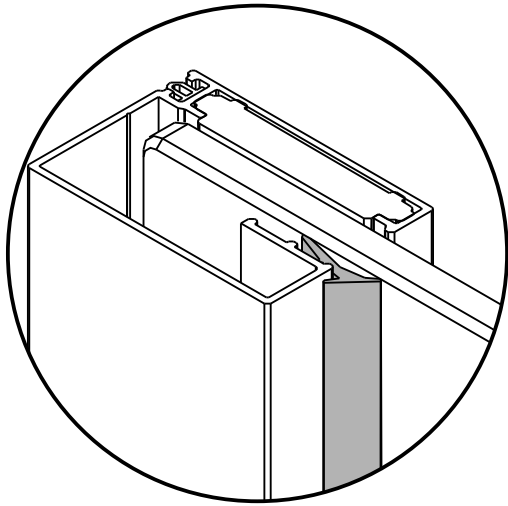
5mm min

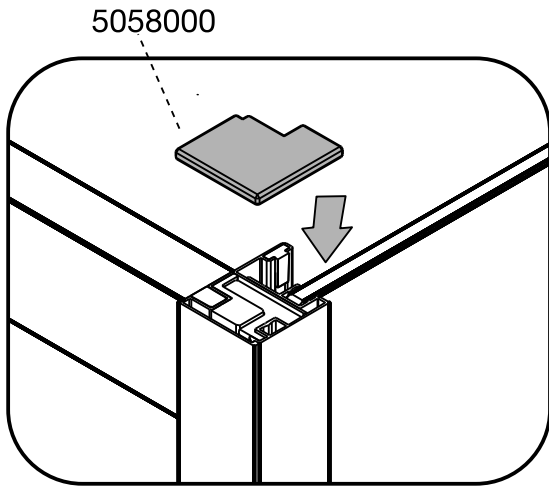
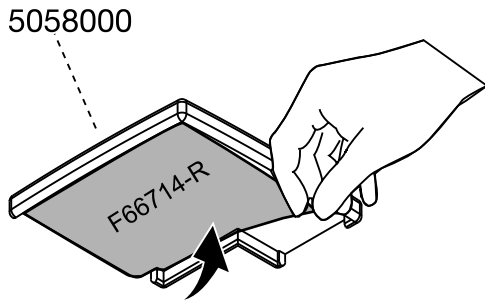




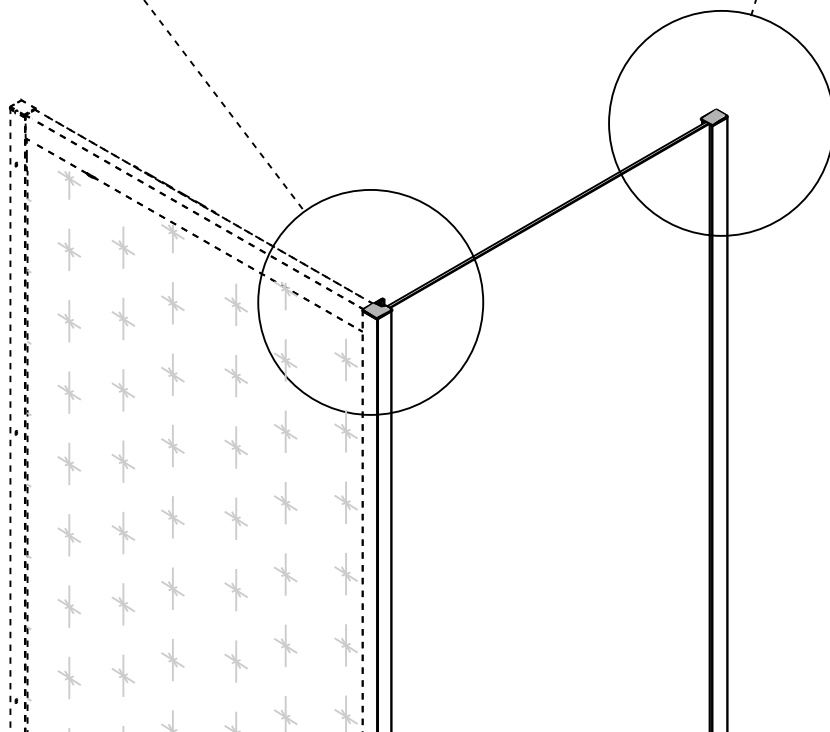
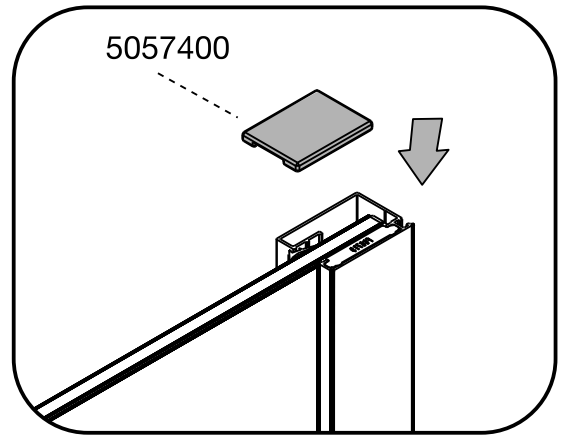
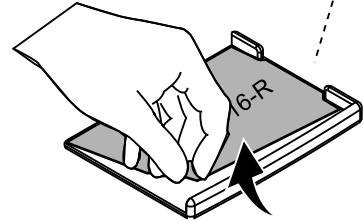


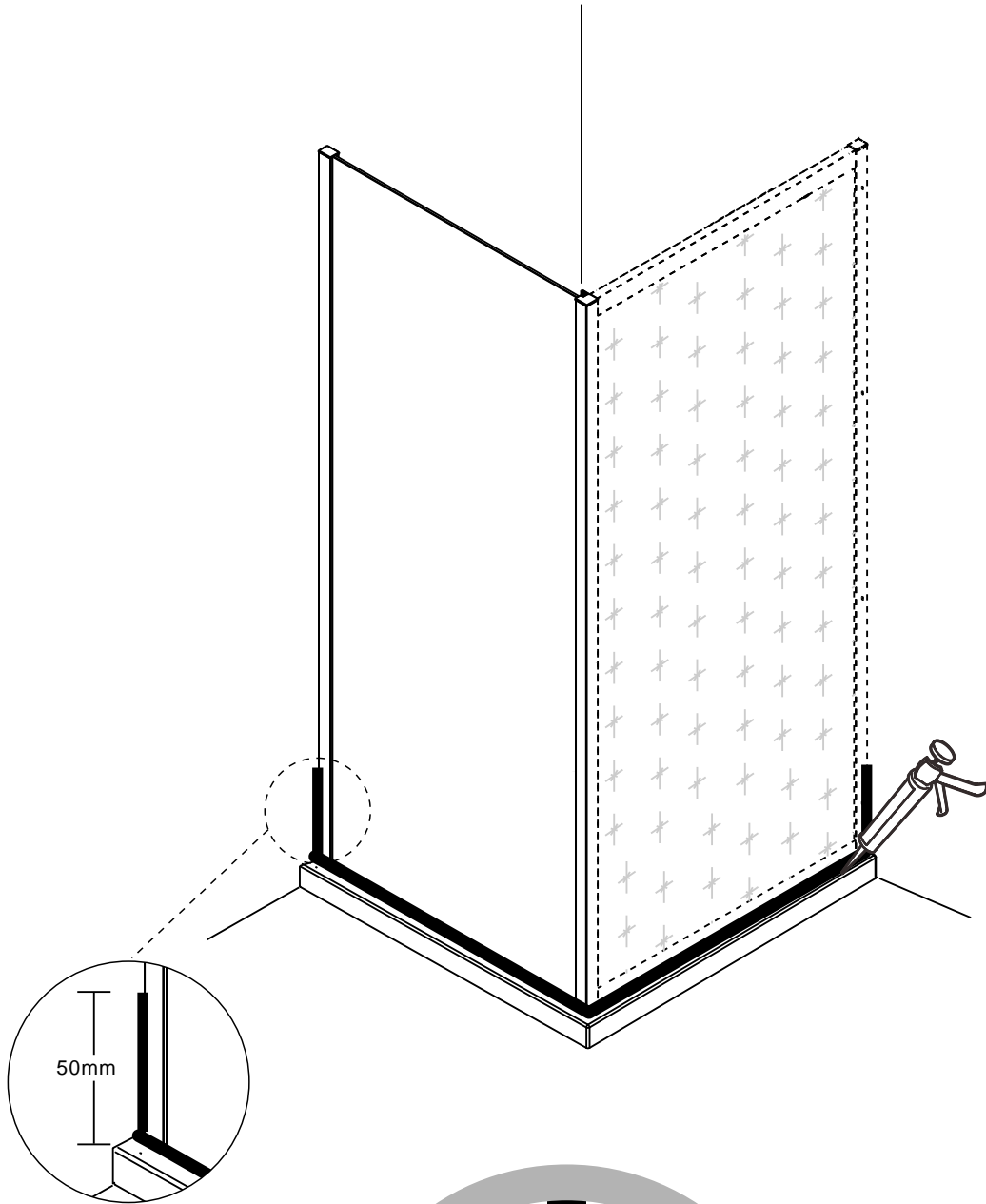
4038100





5057400





24 HOURS

CORAM

SHOWER ENCLOSURES

CORAM PRODUCT GUARANTEE

We are confident in the quality and durability of our Coram range of shower enclosures and products. As such we offer Coram customers a guarantee against manufacturing defects and faulty materials subject to the terms and conditions of our Coram product guarantee as set out in this document.

Please note that our Coram product guarantees are in addition to the legal and statutory rights of a consumer and these rights are not affected by our guarantees.

Coram product guarantees

(a) 10 year guarantee for Coram shower enclosures, Coram showertrays and Coram shower panels and bath screens

From the date of installation we will provide a 10 year guarantee in respect of our range of Coram shower enclosures, Coram showertrays, Coram shower panels and Coram bath screens against manufacturing defects and faulty materials provided that the Coram products are installed, used and maintained in accordance with the manufacturer's instructions, including our care and cleaning advice.

Please note:

(i) the important additional terms and conditions that also apply to this Coram product guarantee as set out in section 3 below; and

(ii) that where Coram products are either "ex display", sold at a discount or used for Business Use then a 5 year guarantee from the date of installation will apply instead of the 10 year period referred to above. See section 3 below for further details and the definition of Business Use.

(b) 4 year guarantee for Coram wheel bearing products

From the date of installation we provide a 4 year guarantee in respect of our Coram wheel bearing products against manufacturing defects and faulty materials provided that they are installed, used and maintained in accordance with the manufacturer's instructions, including our care and cleaning advice.

Please note the important additional terms and conditions that also apply to this guarantee as set out in section 3 below.

(c) 2 year guarantee for Coram seals and gaskets

From the date of installation we provide a 2 year guarantee as regards our Coram seals and gaskets against manufacturing defects and faulty materials provided that they are installed, used and maintained in accordance with the manufacturer's instructions, including our care and cleaning advice.

Please note the important additional terms and conditions that also apply to this guarantee as set out in section 3 below.

Additional terms and conditions applying to all the Coram products guarantees.

The following terms and conditions apply to all our Coram product guarantees in addition to the terms set out in section 2 above.

1. Our product guarantees are only valid where the products are purchased and used in the United Kingdom and the Republic of Ireland.

2. In bringing a claim under a guarantee, proof of purchase of the product in question will be required.

3. Where installed, we must be given a reasonable opportunity to inspect the product in its installed situation.

4. The Coram product guarantee only covers the original installation. Coram products are not covered by our guarantee once they have been uninstalled, removed or displaced for any reason; including for example as part of a bathroom renovation.

5. The Coram product guarantee only applies to the original purchaser and is non-transferable.

6. Where Coram products are "ex display" or sold at a discount or used for Business Use then a 5 year guarantee from the date of installation will apply instead of the 10 year period referred to in Section 2 above. For the purposes of our guarantees "Business Use" means a product that is used wholly or mainly in connection with a business, profession, institution or establishment including of a care or commercial

nature; and for these purposes and by way of non-exhaustive examples only, the use of our products in following contexts shall constitute Business Use: use in/by hospitals, landlords, social housing, nursing homes and hotels.

7. Our Coram product guarantees do not cover fair wear and tear or damage arising from "Misuse and Abuse" which includes the following:

- a. Improper installation (including failure to follow our installation instructions, local bylaws and general good plumbing practice);
- b. Overtightening of screws/excessive force;
- c. Inappropriate cleaning products and misuse of them;
- d. Failure to follow our cleaning and maintenance instructions;
- e. Abrasive cleaning products;
- f. Accidental damage;
- g. Incompatible products used alongside;
- h. Improper use of products;
- i. Product modification without obtaining manufacturer advice;
- j. Malicious or intentional damage or neglect;
- k. Build-up of mildew and lime scale;
- l. Non-compliance with building regulations and codes of practice;
- m. Incorrect tools being used;
- n. Improper storage and handling of product including exposure to extreme temperatures;
- o. Installation of a product suspected to be damaged; and
- p. Use of insufficient or inappropriate fixings.

8. Glass: Please note that any toughened glass panels are not covered by our Coram product guarantee once the installation / assembly activity has commenced.

9. As regards bespoke / tailored products then Coram cannot accept responsibility under the Coram product guarantee if the measurements or specification supplied to Coram by the customer or by a third party are incorrect.

10. If in our opinion there is a valid claim under our Coram product guarantee then we will at our option either provide a replacement product (or part as applicable) or refund the price of the applicable product. Please note, for the avoidance of doubt that our Coram product guarantee does not include an installation service nor cover the cost of any labour to replace a product the subject of a valid claim under our guarantee.

11. Our policy is one of continuous improvement. Where a valid claim under a Coram product guarantee has been brought and we offer a replacement product in circumstances where identical product are no longer available, then we reserve the right to replace it with our nearest equivalent product.

12. Where we provide a replacement product or part under our Coram product guarantee then this does not extend the length of the guarantee; such that the Coram product guarantee on the replacement part or products will expire at the same time as under the original Coram product guarantee.

13. If a claim is made under a Coram product guarantee and it is ultimately revealed that the claim is invalid for whatever reason, including for example that the product has been Misused or Abused (including improperly installed), then we reserve the right to charge the claimant in respect of any expense we reasonably incur as a result of dealing with and investigating such claim; including our service personnel's time and the cost of any replacement products or parts supplied. In addition we reserve the right to charge for the cost of travel outside mainland UK.

14. It is the customer's and their contractor's responsibility to inspect the products on purchase and/or delivery to identify any damage or faults. Our Coram product guarantees do not cover Coram products in circumstances where they are installed notwithstanding that they are damaged or faulty and such damage or fault is obvious, or should have been reasonably obvious, immediately prior to installation commencing. Consequently we will not accept a claim in respect of a Coram product where it has been installed with a fault that would have been clearly visible before installation.

Note – for further details regarding claiming under the guarantee plus care and cleaning advice please go to:

www.coram.co.uk/terms-conditions/

Recycling

Packaging:- The cardboard and polythene parts of this packaging can be recycled.

End of life:- This product contains materials such as aluminium and glass which can be recycled.

Please contact your local authority to find your nearest recycling centre.

IMPORTANT: You must not use the shower for 24 hours after installation of the enclosure.

DO NOT use bleach, scouring powders, solvents or other aggressive cleaning agents. To clean, use warm soapy water and a clean cloth and rinse off.

Please note: There has been a glass coating applied to this product, use a squeegee to remove water and debris.

Periodically check all fixings and tighten if necessary.

CORAM SHOWERS LTD