

TECHNICAL DATA SHEET

PREMIER 8 BI FOLD DOOR SHOWER ENCLOSURE

P8BF76CUC
P8BF80CUC
P8BF90CUC
P8BF10CUC



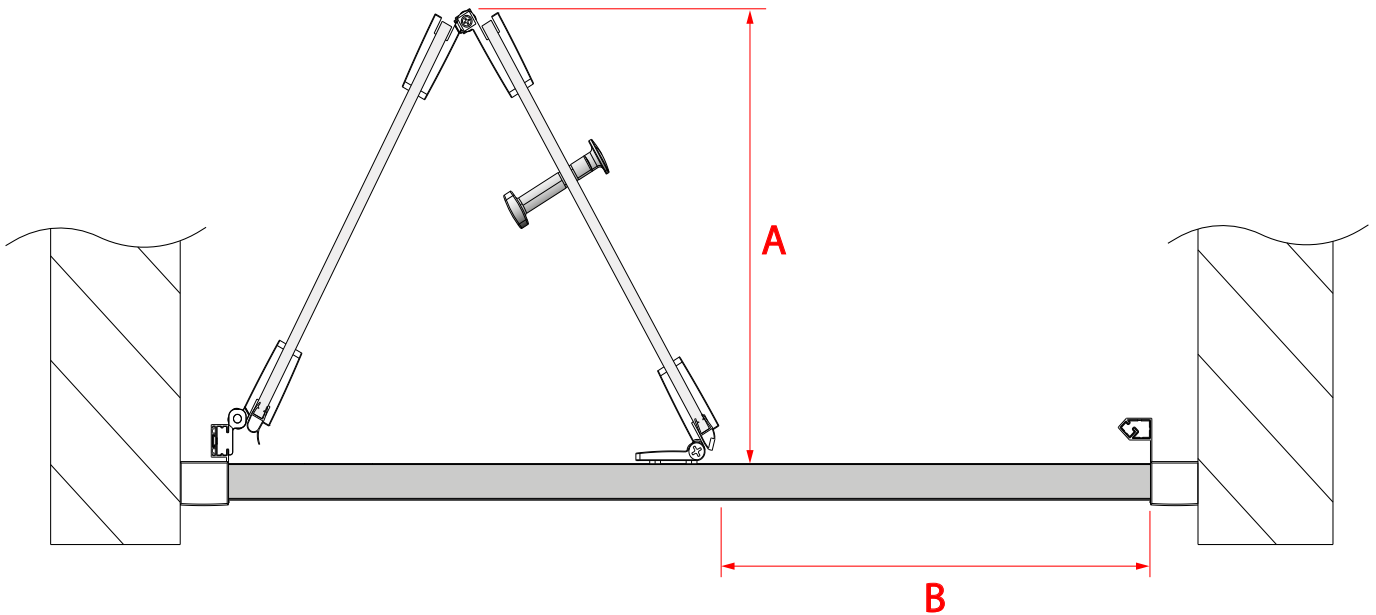
CORAM
SHOWERS

HEIGHT & WEIGHT

PRODUCT CODE	DESCRIPTION	WEIGHT GROSS KG	HEIGHT (MM)	WIDTH (MM)
P8BF76CUC	Premier 8 Bi-Fold Door 760mm Chrome	30	2000	760
P8BF80CUC	Premier 8 Bi-Fold Door 800mm Chrome	31.5	2000	800
P8BF90CUC	Premier 8 Bi-Fold Door 900mm Chrome	35.5	2000	900
P8BF10CUC	Premier 8 Bi-Fold Door 1000mm Chrome	39.5	2000	1000

all dimensions are in mm

DOOR OPENING DIMENSIONS

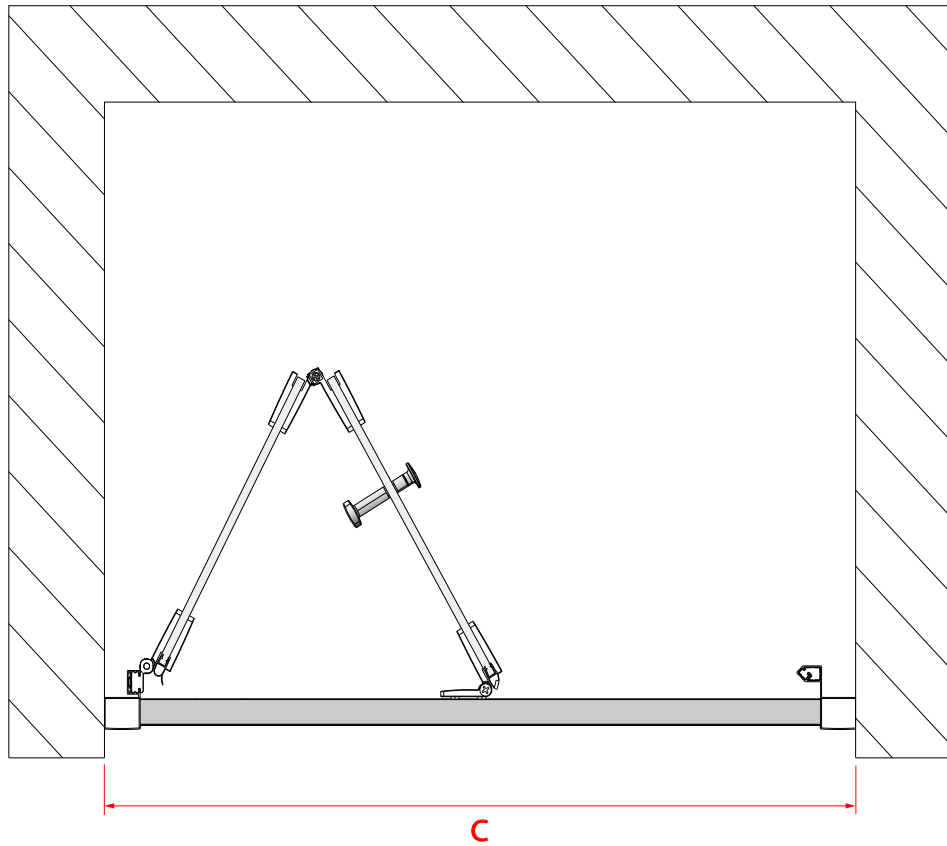


Door Opening Dimensions

PRODUCT CODE	PROTRUSION INTO ENCLOSURE (A)	DOOR OPENING (B)
P8BF76CUC	330	450
P8BF80CUC	350	470
P8BF90CUC	400	520
P8BF10CUC	450	570

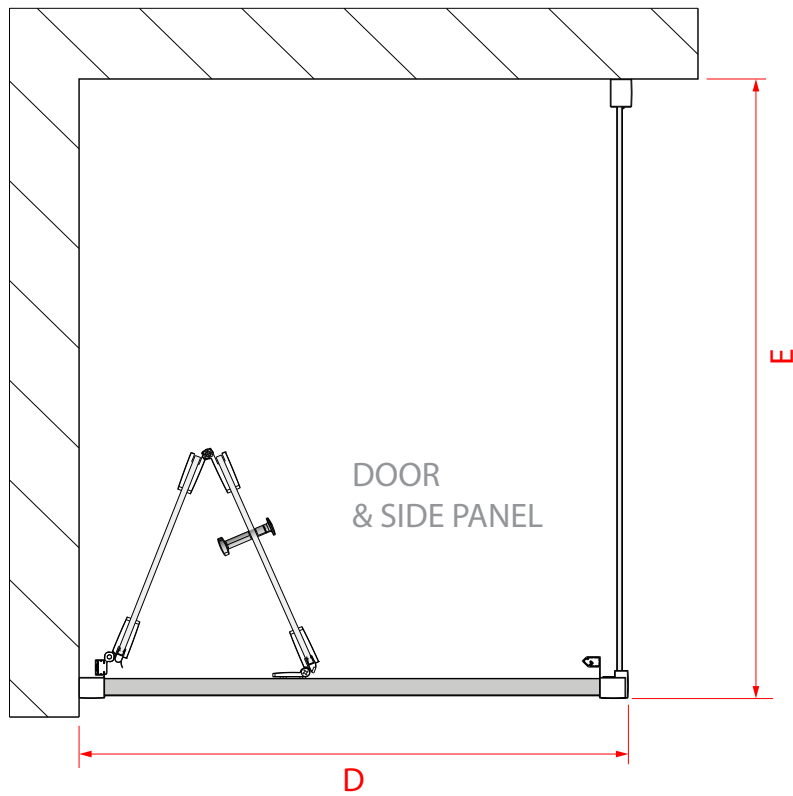
all dimensions are in mm

BI FOLD DOOR ADJUSTMENT



PRODUCT CODE	OVERALL WIDTH (C)	ADJUSTMENT (DOOR)	AMOUNT OF ADJUSTMENT (PER SIDE)
P8BF76CUC	760	715- 755	25
P8BF80CUC	800	755-795	25
P8BF90CUC	900	855-895	25
P8BF10CUC	1000	955-995	25

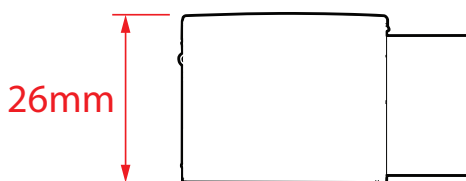
all dimensions are in mm



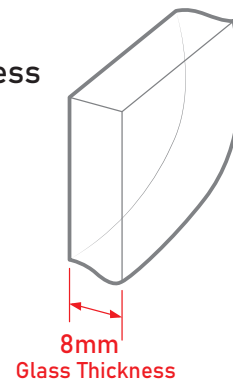
PRODUCT CODE	OVERALL WIDTH (D)	ADJUSTMENT (DOOR)	AMOUNT OF ADJUSTMENT	SIDE PANEL PRODUCT CODE	SIDE PANEL OVERALL WIDTH (E)	SIDE PANEL ADJUSTMENT	AMOUNT OF ADJUSTMENT
P8BF76CUC	760	715-755	25	P8SP70CUC	700	675-695	25
P8BF80CUC	800	755-795	25	P8SP76CUC	760	735-755	25
P8BF90CUC	900	855-895	25	P8SP80CUC	800	775-795	25
P8BF10CUC	1000	955-995	25	P8SP90CUC	900	875-895	25
GB5BF10CUC	1000	955-1005	25	P8SP10CUC	1000	975-995	25
-	-	-	-	P8SP12CUC	1200	1175-1195	25

all dimensions are in mm

Wall fixing dimension



Glass thickness



CORAM
SHOWERS

CUSTOMER CARELINE 01460 256080

www.coram.co.uk

technicalsupport@coram.co.uk

Coram Showers, Conquest Business Park
Cad Road, Ilton, Somerset, TA19 9EA

CORAM
SHOWERS